

Syntron® Orienting Power Rolls

Quickly Orients And Transfers Headed or Tapered Parts

Syntron® Orienting Power Rolls provide continuous, oriented, single-file feeding of tapered or headed parts from bowl feeders to discharge points. Parts such as screws, bolts, rivets and tapered roller bearings are fed easily and quickly. Parts with small, differential diameters can also be handled.

These units feature counter-rotating rolls that are set in a declined position. The counter rotation feeds and orients the parts to the discharge point. These rolls will not bind or grip the parts and are extremely sensitive to fine tolerances.

Fully Adjustable

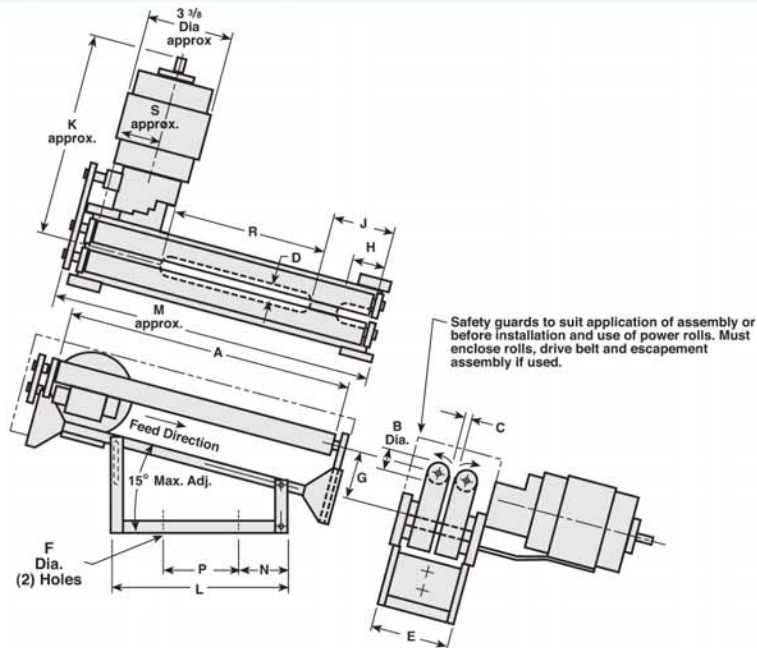
For precise unit alignment and part feeding, the power roll decline is adjustable to 15 degrees. Rolls can be spaced up to two inches apart in either a parallel or angular configuration for desired orientation. In addition, photo eyes are also available to control parts under back pressure.



Syntron® Orienting Power Rolls

Orienting Power Roll Specifications

| Model | Roll Size | Roll Material | Roll Mounting | Roll Spacing | Declination |
|--------|--------------------------|----------------|---|--------------------------------|-----------------|
| SPO-12 | 1 in. dia. x 12 in. long | Hardened Steel | Trunnions running in sealed ball bearings | 1/64 - 1/2 parallel or angular | 0 to 15 degrees |
| SPO-24 | 2 in. dia. x 24 in. long | Hardened Steel | Trunnions running in sealed ball bearings | 3/16 - 2 parallel or angular | 0 to 15 degrees |



Dimensions in inches

| Model | A | B | C(Adj.) | D | E | F | G | H | J | K | L | M | N | P | R | S |
|--------|----|---|----------|-------|-------|--------|---|--------|-------|----|--------|--------|---|-------|--------|-------|
| SPO-12 | 12 | 1 | 1/64-1/2 | 3/4 | 3 3/4 | 7/16 | 2 | 1 7/16 | 2 3/8 | 9 | 7 1/4 | 13 1/4 | 2 | 3 1/4 | 6 3/4 | 1 3/4 |
| SPO-24 | 24 | 2 | 3/16-2 | 2 1/4 | 7 | 1 7/32 | 4 | 2 1/4 | 4 1/8 | 11 | 16 1/2 | 25 | 2 | 10 | 14 3/4 | 1 |